

Appendix A

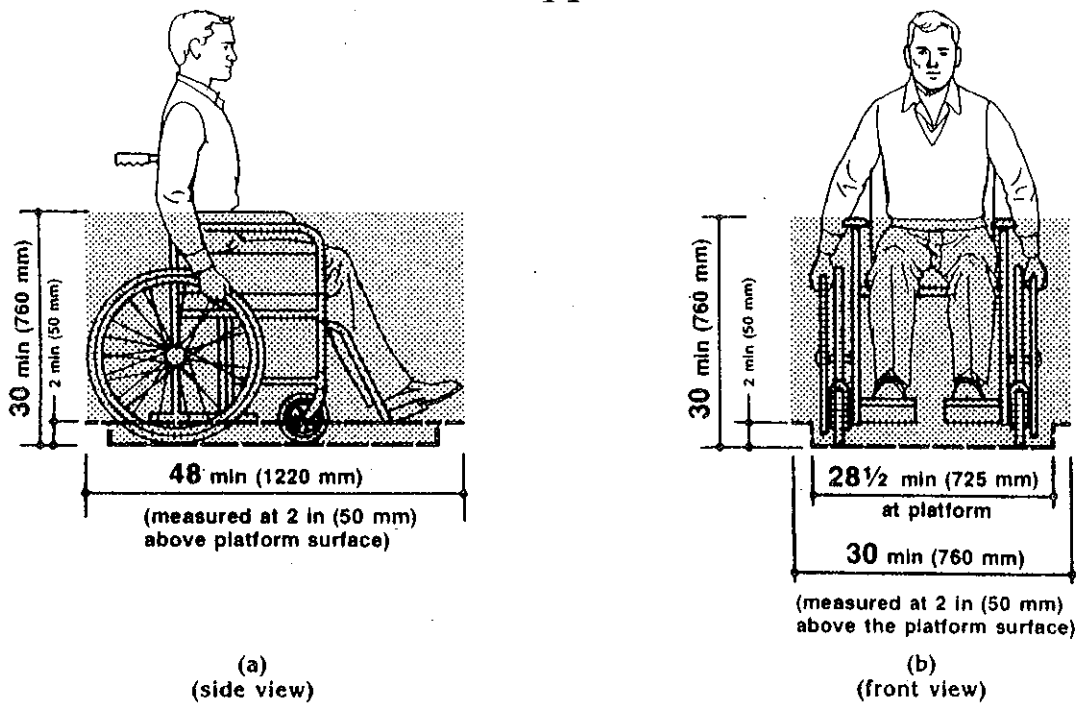


Fig. 1
Wheelchair or Mobility Aid Envelope

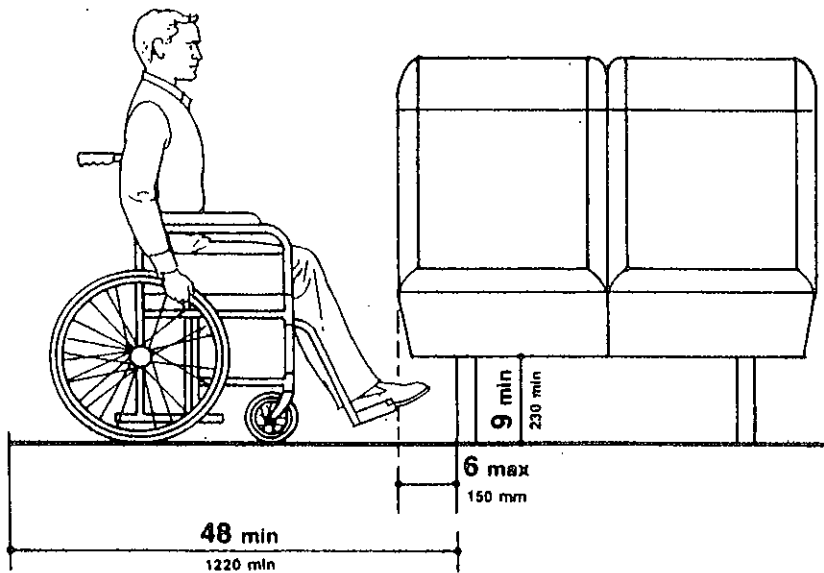


Fig. 2
Toe Clearance Under a Seat

Common wheelchairs and mobility aids means belonging to a class of three or four wheeled devices, usable indoors, designed for and used by persons with mobility impairments which do not exceed 30 inches in width and 48 inches in length, measured 2 inches above the ground, and do not weigh more than **600 pounds** when occupied.